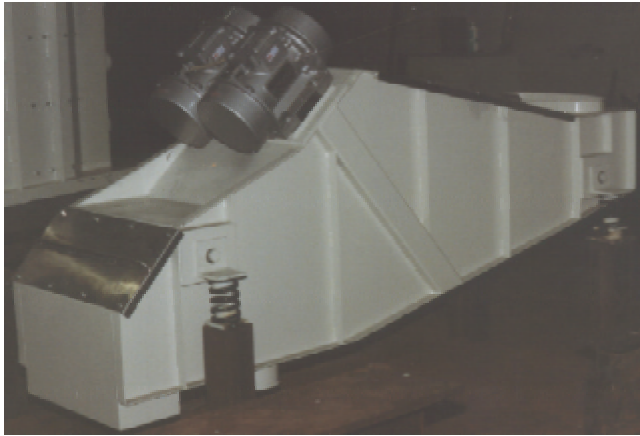




LINEAR MOTION SCREEN UMR SERIES



UMR with 1 net

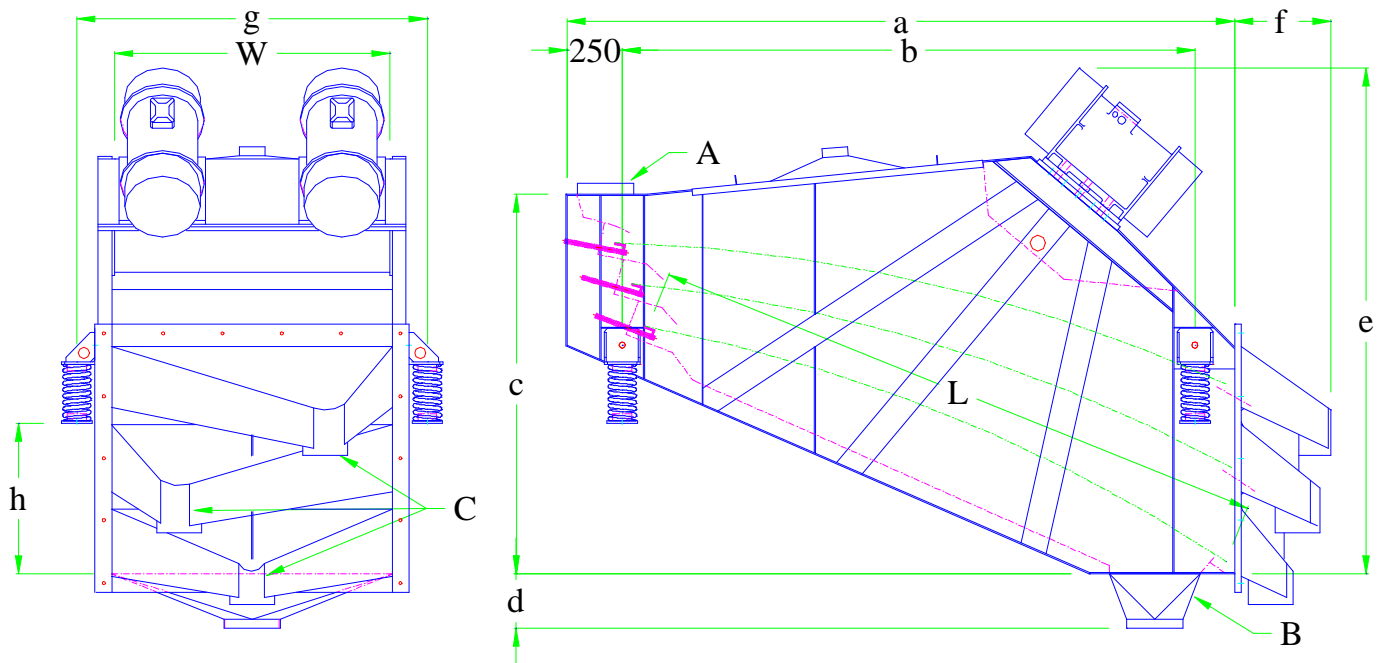


UMR with 2 nets

UMR with 3 nets



- ☞ The linear motion screens are small and compact, in closed and dustproof execution, and complete with 1, 2, and 3 screening decks.
- ☞ They are suitable for medium-small capacities, for cuts at 1 to 30 mm and for products with bulk density from 0.5 to 1.6 t/m³.
- ☞ The linear motion screens will guarantee a careful selection.
- ☞ Quick overhaul of screen and easy replacement of wire-nettings.
- ☞ The operation is by two eccentric weights motors, with upward installation, which generate linear vibrations.



OUR STANDARD SERIES:

W / L	a	b	c	d	e ab.	f	g	h	A	B	C	kg ab.	kW
UMR 500/2000-1C	2350	1800	600	80	1055	/	740	163	250x500	200x500	200x500	340	2x0,8
UMR 500/2000-2C	2255	1800	860	80	1270	365	740	300	250x500	200x500	2xØ200	420	2x0,8
UMR 500/2000-3C	2290	1800	1175	80	1635	405	740	585	250x500	200x500	3xØ100	520	2x1,2
UMR 750/2000-1C	2350	1800	600	80	1060	/	990	163	250x750	200x750	200x750	460	2x0,8
UMR 750/2000-2C	2255	1800	860	80	1360	365	1000	220	250x750	200x750	2xØ200	680	2x1,2
UMR 750/2000-3C	2290	1800	1175	80	1765	405	1000	535	250x750	200x750	3xØ150	860	2x1,2
UMR 1000/2000-1C	2350	1800	600	80	1105	/	1250	80	200x1000	Ø200	200x1000	850	2x1,2
UMR 1000/2000-2C	2255	1800	860	80	1360	405	1310	188	200x1000	Ø200	2xØ200	1050	2x2,3
UMR 1000/2000-3C	2290	1800	1175	140	1765	405	1310	505	200x1000	Ø200	3xØ200	1250	2x2,3
UMR 1000/3000-1C	3010	2650	800	80	1370	230	1310	75	200x1000	200x1000	200x1000	1350	2x2,3
UMR 1000/3000-2C	3030	2600	1095	140	1835	405	1310	280	200x1000	Ø200	2xØ200	1600	2x2,7
UMR 1000/3000-3C	3030	2600	1495	140	2120	405	1310	635	200x1000	Ø200	3xØ200	1850	2x2,7
UMR 1250/3000-1C	3010	2650	800	80	1370	230	1310	75	200x1250	200x1250	200x1250	2100	2x2,7
UMR 1250/3000-2C	3030	2600	1095	140	1835	405	1310	188	200x1250	Ø250	2xØ200	2250	2x4,5
UMR 1250/3000-3C	3030	2550	1495	140	2120	405	1310	670	250x1250	Ø250	3xØ200	2480	2x4,5

